



深圳德彩光电有限公司
Shenzhen Dicolor Optoelectronics Co., Ltd

LED模组规格书

LED MODULE SPECIFICATION

No :	DI-P10F1
Type :	Outdoor LED Module
Pitch :	10 mm
Driving :	1/4Duty
Version :	1.0



地址：深圳市宝安区福永镇永和路德彩工业园
Address:Dicolor Industry Park, Yonghe Road, Fuyong town, Bao'an District, Shenzhen,
China
Tel:0086-755-29604770/29604771/29604749 Fax:0086-755-29604042
Web:[Http://www.dicolor.cn](http://www.dicolor.cn) Post code:518103



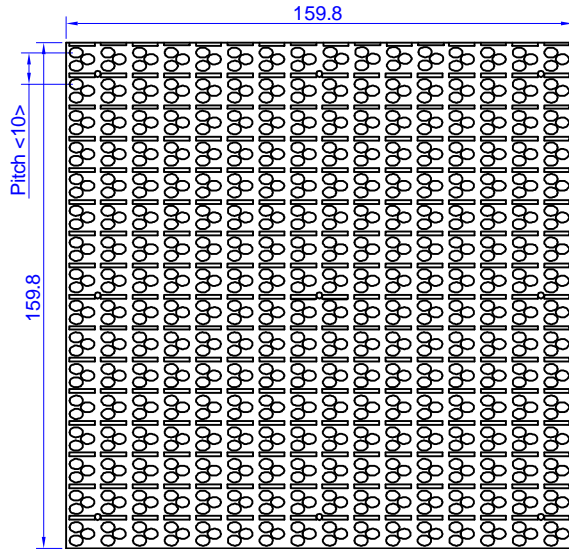
深圳德彩光电有限公司

Shenzhen Dicolor Optoelectronics Co., Ltd

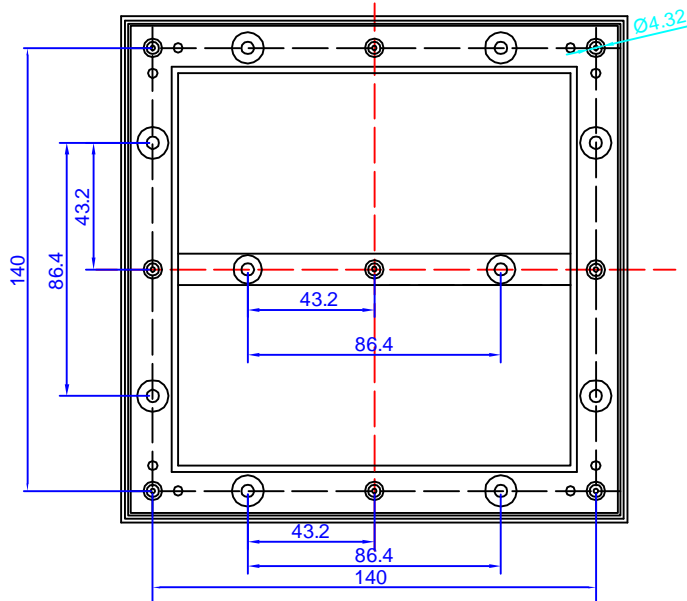
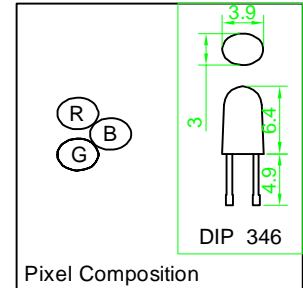
DI-P10F1

OUTDOOR MODULE

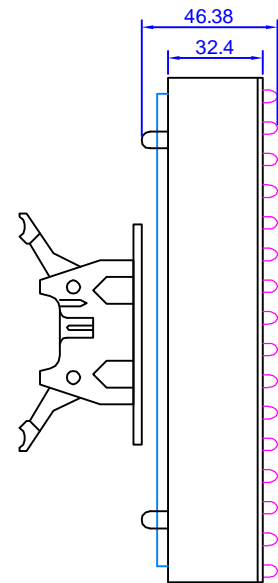
Unit : mm



FRONT VIEW



BACK VIEW



SIDE VIEW

Pin Assignment (Data JP1/JP2 - F.C.16)

Pin NO.	Function	Pin NO.	Function
1	R0	2	G0
3	B0	4	GND
5	R1	6	G1
7	B1	8	A
9	B	10	C
11	CLK	12	GND
13	ALT	14	GND
15	OE	16	GND

Pin Assignment (Power JP3 - CH5)

Pin NO.	Function
1	VDD
2	VDD
3	VCC
4	GND
5	GND



深圳德彩光电有限公司

Shenzhen Dicolor Optoelectronics Co., Ltd

DI-P10F1

户外模组 (OUTDOOR MODULE)

主要技术指标

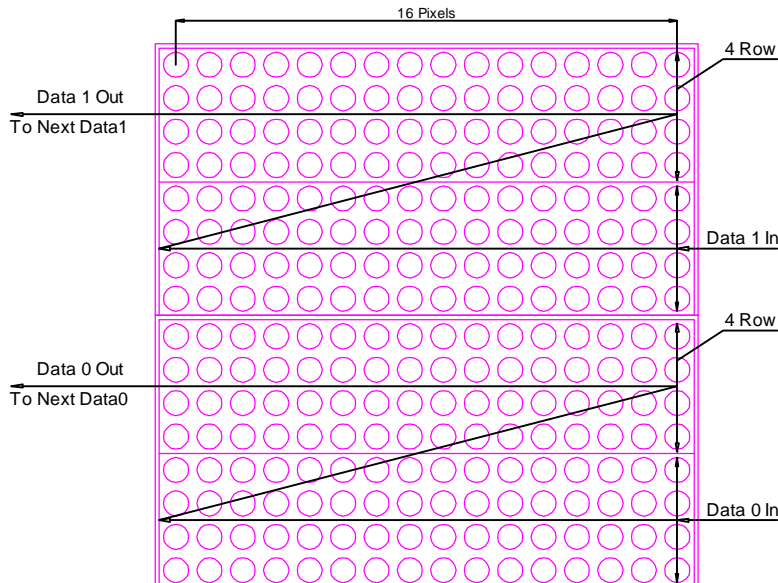
MAIN SPECIFICATIONS

(温度条件 Ta = 25°C)

项目 (ITEM)	参数 DESCRIPTION		
像素间距 (Pixel Pitch)	Pitch 10 mm		
显示分辨率 (Display resolution)	16 x 16 Dots		
像素基色 (Pixel configuration)	1 R, 1 G, 1 B		
物理密度 (Physical density)	10000 (pixels / m ²)		
驱动方式 (Driving Method)	1/4 Duty		
外形尺寸 (Panel size)	159.8x159.8mm		
灰度等级 (Gray scale)	16384		
显示亮度 (Brightness)	4000 ± 10% Nit		
模组视角 (Viewing angle)	H:110° / V:60°		
最佳视距 (Option distance)	> 8 M		
LED封装 (LED Encapsulation)	DIP 346		
LED波长 (LED Wavelength)	R:620~630nm	G:520~530nm	B:465~475nm
工作电压 (Working Voltage)	DC 5 V		
使用功耗 (Working Consumption)	16W		
使用寿命 (Life Time)	100,000 Hours		
环境温度 (Environment Temperature)	-20°C ~ 60°C		
外壳材质 (Material of Module Outside Frame)	PC		

数据传输原理图

Drive Data Register Direction



FRONT VIEW (LAMP VIEW)