

# DIQ60 LED Serial Lamp Specification

## Main Features

### General:

Type: DIQ60A-5L、DIQ60B-5L  
Base: E27  
Input Voltage: AC85-265V  
Product Type: 5 pieces 1W LEDs

### Characters:

Output Watt: 5W  
Driver Current: 330mA  
Lens beam angle: 60°  
Electrical Efficiency: 85%  
Input Frequency: 50 Hz/60 Hz  
Ambient Temperature:  $\leq 40^{\circ}\text{C}$   
Life time: 50,000Hours  
Over current protection

### Certificates:

CE, RoHs,FCC

### Typical Application

Landscape Accent/Spot Lighting  
Architectural Lighting  
Display case accent  
Artwork Lighting  
Mood lighting  
Amusement Park Accent

### Color available:

Cool White、Day llight, Warm White、Blue、 Green、  
Red、 Yellow

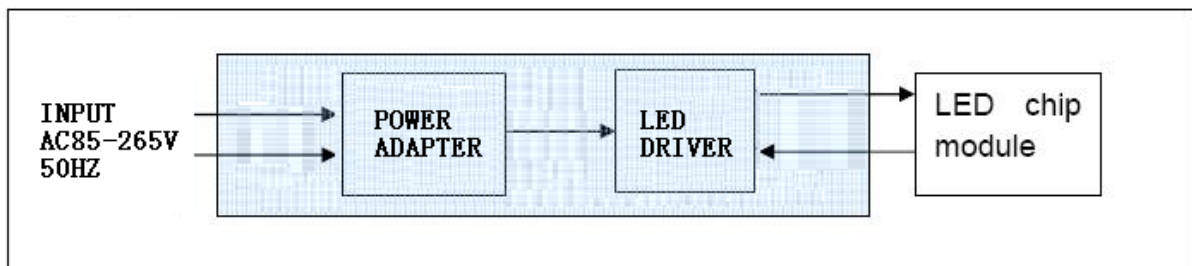


### Description:

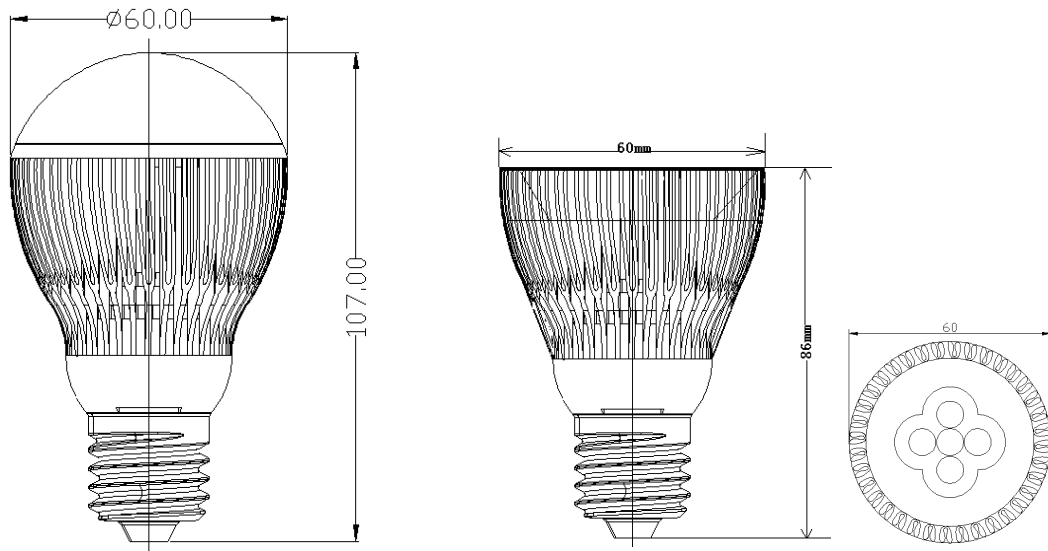
Product Q60 series is designed to fit into standard E27sockets

The product utilizes the DSPL TECHNOLOGY innovative unique technologies specifically developed for the high power solid state lighting devices.

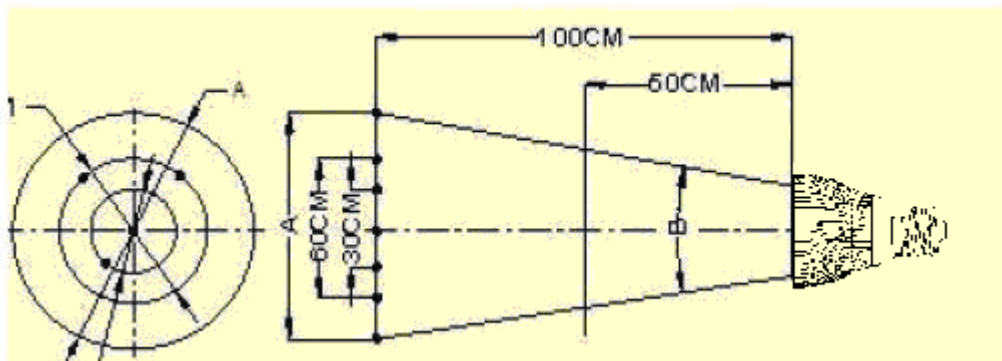
Main Technologies include: (1) works with electronic transformer; (2) over current and voltage protection; (3) good heat dissipation solution. All of these to make the product operating stable for long hours and show the world brilliant lighting



**Product dimension:**



**Luminous Flux ( condition: Beam angle:60° )**

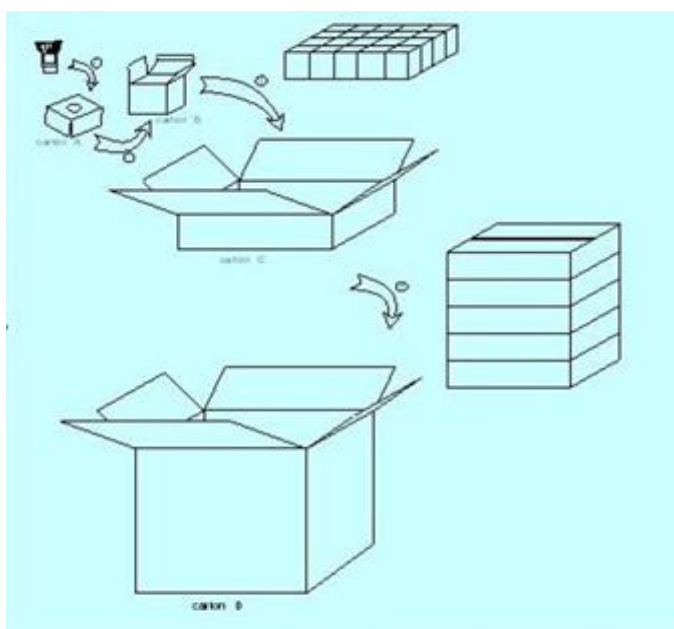


Part No.	Color	Wavelength /CCT(nm/K)	Input Voltage	Output Power	Luminous FLUX(LM)	Center illuminance @0.5m/1M (LUX)
Q60A-5L	CW	5500-6000K	AC85-265V	5*1W	400	420/160
Q60A-5L	WW	2800-3300K	AC85-265V	5*1W	400	390/140
Q60B-5L	CW	5500-6000K	AC85-265V	5*1W	400	420/160
Q60B-5L	WW	2800-3300K	AC85-265V	5*1W	400	390/140

## General Characters

Symbol	Parameter	Test Condition	Min.	Typ.	Max.	Unit
Vac	AC Input voltage	-	85	220	265	V
Vdc	DC Input voltage	-	85	220	265	V
If	LED driver Current	Constant driving current	-	300	-	mA
Lt	Life Time	-	-	50000	-	Hour
T	Cup Temperature	Environment temperature at 25°C	-	55	65	°C

## Packing



### Packing Notice

- 1: Qty/ctn:100pcs
- 2: Gross Weight: 20kg
- 3: Size of carton:  
600x400x320mm
- 4: Handle with care



**Shenzhen Dicolor Optoelectronics Co.,Ltd**

Seat 8,Tongfuyu Industry Park, Xinhe Village,Fuyong Town, Shenzhen

[www.dicolor.cn](http://www.dicolor.cn)

Email:lighting01@dicolor.cn

Tel: +86-755-29604770-8053

Fax: +86-755-2960 4042